

***SBCouplings***  
***Safety Break-away Couplings***



**Product Information**

**KilltheSpill**

## About Mann Tek

Mann Teknik AB is a Swedish company located in Mariestad, Sweden.

Mann Teknik AB produces and markets products for safe and environmentally friendly handling of aggressive fluids for the chemical and petrochemical industries.

The main product is the Dry Disconnect Couplings, DDCouplings®, for spill free liquid handling. The products are marketed through independent representatives in more than 30 countries.

Mann Teknik AB have many years of experience in designing, producing and marketing of DDCouplings® all since 1977.

Mann Teknik AB has shown a high rate of growth during the past years and is now a major player in its specialised field of operation. This is due to a determined expansion into growing markets and recognition by customers of the robust design and reliable quality of the products.

Mann Teknik AB are certified to ISO9001:2000. The products are CE-labeled. The main products are certified to PED, the European Pressure Equipment Directive and ATEX, the European directive for Equipment intended for use in Potentially Explosive Atmospheres.

The products are produced in accordance with several important standards, e.g. the NATO STANAG 3756

# KilltheSpill

## Table of content

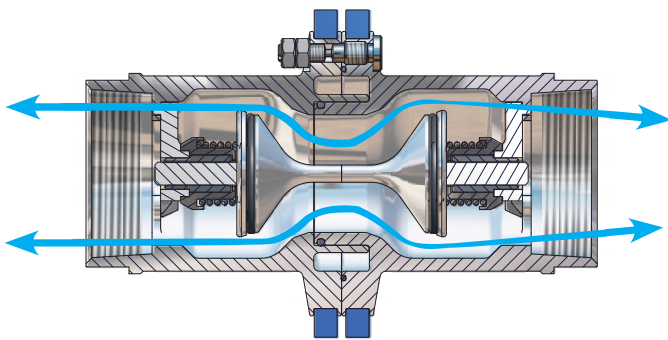
Introduction Breaking Bolt series	3
How it works	3
Features and applications	4
<b>Industrial Break-aways</b>	<b>5-7</b>
Advantages	5
Examples of Connection combinations	6
Data - Sizes, connections, materials and seals	7
<b>Marine Break-aways</b>	<b>8-10</b>
Introduction Marine Break-aways	8
Advantages	8
Examples of Connection combinations	9
Data - Sizes, connections, materials and seals	10
<b>Industrial &amp; Marine, Breaking Bolt series</b>	
Pressure Drop Curve (Industrial and Marine type)	11
Non-closure Break-away couplings	12
Option - DDCoupling Hose unit and Swivel with Break-away integrated	12
Cable release series	13
Cryogenic Break-away Couplings (CBCouplings)	14
Enquiry form - Break-away couplings	15
Mann Tek products and contact information	16

**Safety Break-away couplings are used to prevent pull away accidents, protect terminal and loading/unloading equipment and eliminated unwanted product release.**

The break-away couplings has a diverted breaking point which will break at a determined break-load where upon the internal valves will automatically close on both sides.

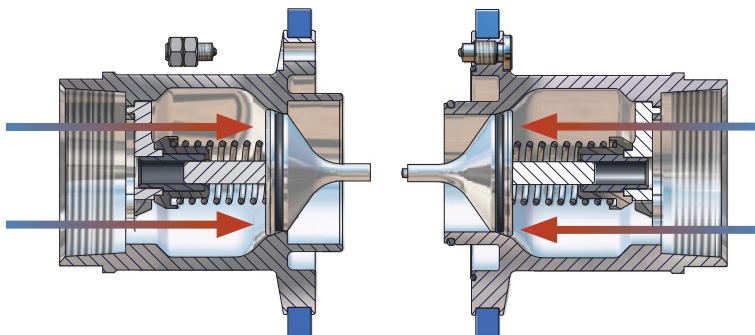
**This will in a longer time frame minimize down time, save money, equipment and the environment.**

## How it works - **before** and **after** emergency disconnect



### SBCoupling before emergency disconnect

The safety break-away valve consists of two halves, each with a valve that has a o-ring seal.



### SBCoupling after emergency disconnect

When the SBCouplings separate, it allows the valves to close. The two valves closes rapidly, minimizing exposure to personnel and the environment.

The SBCouplings, Safety break-away couplings has three external break bolts. In the case of axial tension all of the bolts take up the force corresponding to the break force on the hose with a safety margin.

Non-axial forces concentrate the tension forces more strongly on one bolt, so that the safety break-away coupling reacts in a natural way to the reduction of the hose break forces.



## Features and Applications

### Features

- Passive security against situations where a hose or loading arm could be subjected to inadvertent excessive loads.
- Design features are a simple mechanism and no loose components which could be lost after release.
- Operates independently of shut off safety system and does not require an external power source.
- Easy to reset on site with one person
- High flowrate / low pressure drop
- Very low loss, positive shut-off of both coupling halves results in minimum product loss.
- Lightweight and robust design.
- Available with ANSI/DIN flanges or threaded (BSP or NPT).

### Applications

#### Liquified gases

LPG, Butane, Propane and Blends.  
Co2, DME, LNG

#### Chemicals and Hydrocarbons

Aromatics, Ethylenes and Propylenes,  
VCM, Alcohols and Acids, Diesel, Jet A1.  
Refrigerants Forane.

#### Oil and Petrochemical

Bulk Loading/Unloading, Road Tankers  
Rail Tankers, Process Product Transfer  
Tank Cleaning

#### Marine and Offshore

Ship to Rig Fluid Transfer  
Ship to Shore Fluid Transfer  
Ship to Ship Fluid Transfer  
Bunkering, Marine Refuelling

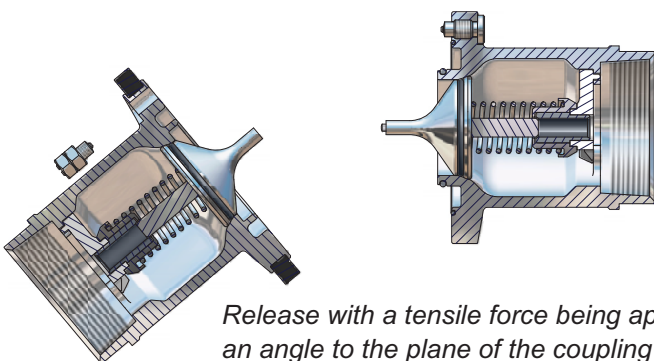
#### Speciality

Hydraulic Oils, Inks, Paints, Solvents,  
Locomotive Fuelling, Helicopter Fuelling,  
Food processing industry  
Plant engineering and construction  
Power plant construction, Food processing industry

**The Safety Break-away couplings are available as Industrial and Marine type.**

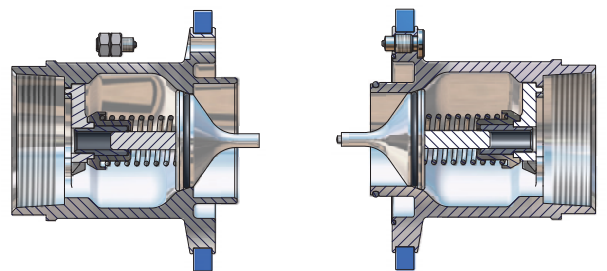
### Industrial Break-away

Typically installed into loading arm and hose assemblies, where at least one side of the coupling is attached to a rig and fixed point.



### Marine Break-away

Marine Safety Break-aways are designed to only release by inline pull and used between two strings of hose.



No part of this leaflet may be reproduced in any form or by any means without permission in writing from the publisher.

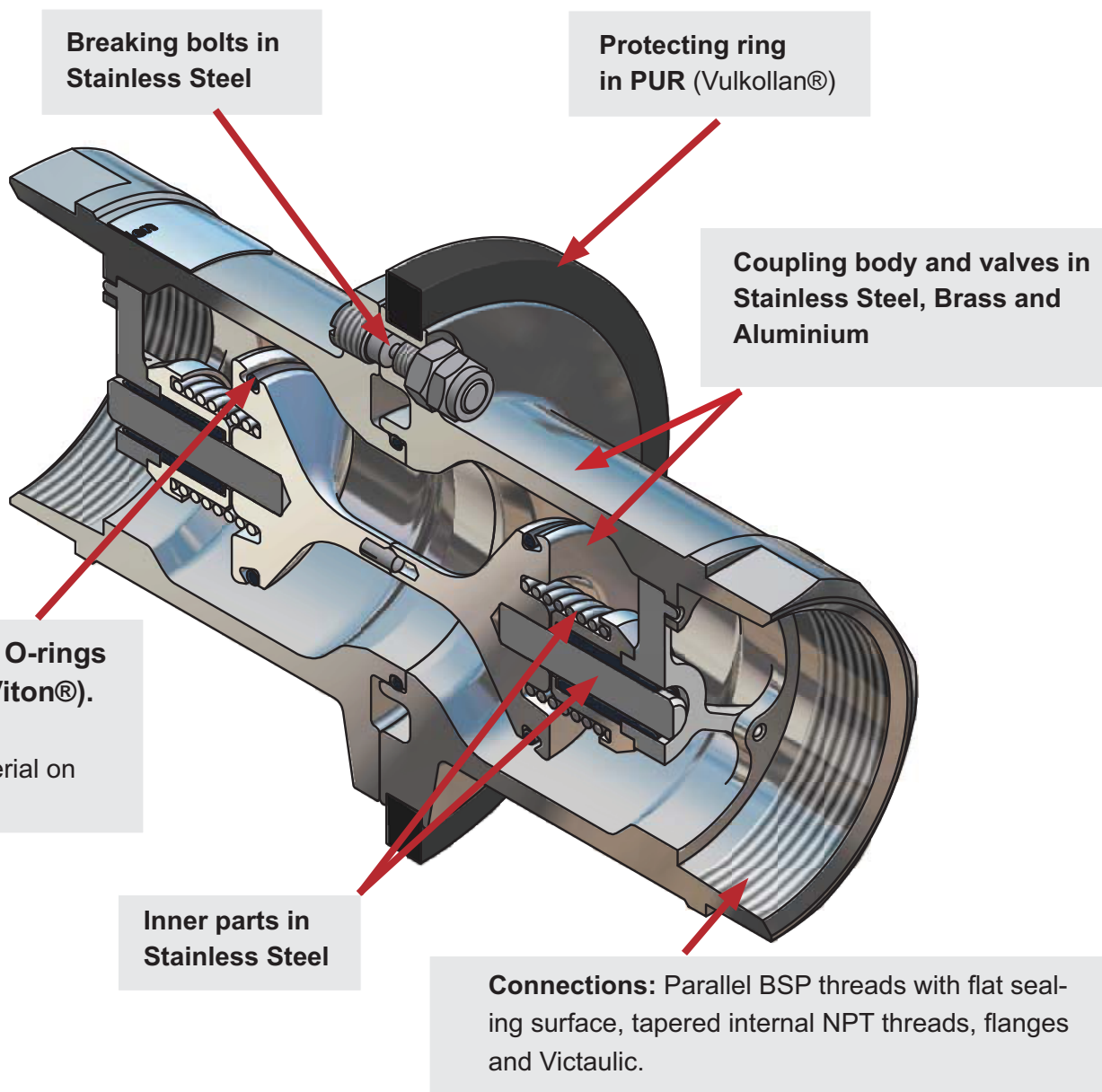
## Industrial Break-away coupling

Industrial Break-away coupling is utilized all industrial product transfer installations.

The industrial SBCouplings are specifically designed to be able to activate with a tensile force being applied at an angle to the plane of the coupling housing, up to 90 degrees.



## Advantages



No part of this leaflet may be reproduced in any form or by any means without permission in writing from the publisher.

## Examples of Connection combinations

**BSP Female thread / BSP Female thread**



**NPT Female thread / NPT Female thread**



**Male thread / Male thread**



**NPT Female thread / NPT Male thread**  
*also available with BSP*



**Victaulic / Victaulic**



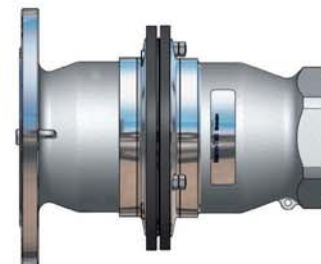
**NPT Female thread / Victaulic**



**Flange / Flange**



**Flange / Thread**  
*(BSP/NPT -Female/Male and Victaulic)*



*Other combinations of connections on request*

No part of this leaflet may be reproduced in any form or by any means without permission in writing from the publisher.

## Technical data - Sizes, connections, materials and seals

### Coupling sizes and connections

Nominal width	Breaking force <sup>1)</sup>		Connection <sup>2)</sup>	kg (Stainless)	kg (Aluminium)
	SS	Alu			
1"	4,8 kN	3,2 kN	1" Thread	1,6	-
			1" Flange	2,7	-
2"	13 kN	9 kN	2" Thread	2,6	0,9
			2" Flange	7,3	2,5
2½"	22 kN	10 kN	2½" Thread	7,4	2,5
			2½" Flange	13,2	4,5
3"	33 kN	15 kN	3" Thread	8,5	2,9
			3" Flange	15,1	5,1
4"	52 kN	24 kN	4" Thread	15,5	5,3
			4" Flange	20,7	7,0
5"	81 kN	37 kN	5" Thread	32,0	12,0
			5" Victaulic	31,0	11,7
6"	92 kN	54 kN	6" Thread	46,8	15,9
			6" Flange	57,6	19,6
8"	165 kN	96 kN	8" Thread	-	-
			8" Flange	71,0	25,9
10"	151 kN	151 kN	10" Flange	120	-
12"	217 kN	217 kN	12" Flange	185	-

1) Mann Tek Standard. Other on request.

2) **Threads:** Female and Male (F/F - F/M - M/M) BSP, Female and Male (F/F - F/M - M/M) NPT  
**Flanges:** ANSI 150 psi / ANSI 300 psi, DN 25-150 PN 10/16 and PN 25/40, TW1/50, TW3/80, TW7/150, T.T.M.A .  
**Others:** Victaulic

### Materials

Component	Material	Standard	Operation temperature <sup>3)</sup>
Housing Check valve	SS (Stainless Steel)	EN 10272 - 1.4404+AT	-40°C to 250°C
		EN 10213 - 1.4409+AT	
	Br/Gm (Brass/Gun metal)	EN 12164 - CW614N	-40°C to 200°C
		EN 1982 - CB491K-GS	
	AL (Aluminium)	EN 755 - AW-6262-T6	-40°C to 150°C
		EN 1706 -AC-42100-T6	

### Seals

Component	Material	Description <sup>4)</sup>	Operation temperature <sup>3)</sup>
O-ring	FKM	Viton™	-30°C to 200°C
	EPDM	Buna AP	-40°C to 120°C
	FFKM	Kalrez™ Chemraz™	-15°C to 230°C
	NBR	Perbunan	-38°C to 80°C

**Working pressure:** 16 bar / 25 bar 150psi / 300 psi      40 bar / 600 psi on request.

3) For temperature stability of the seal material used must be considered separately for each individual case

4) Kalrez, Viton = Registered Trademarks of DuPont; Chemraz = Registered Trademark of Green Tweed

## Marine Break-away couplings

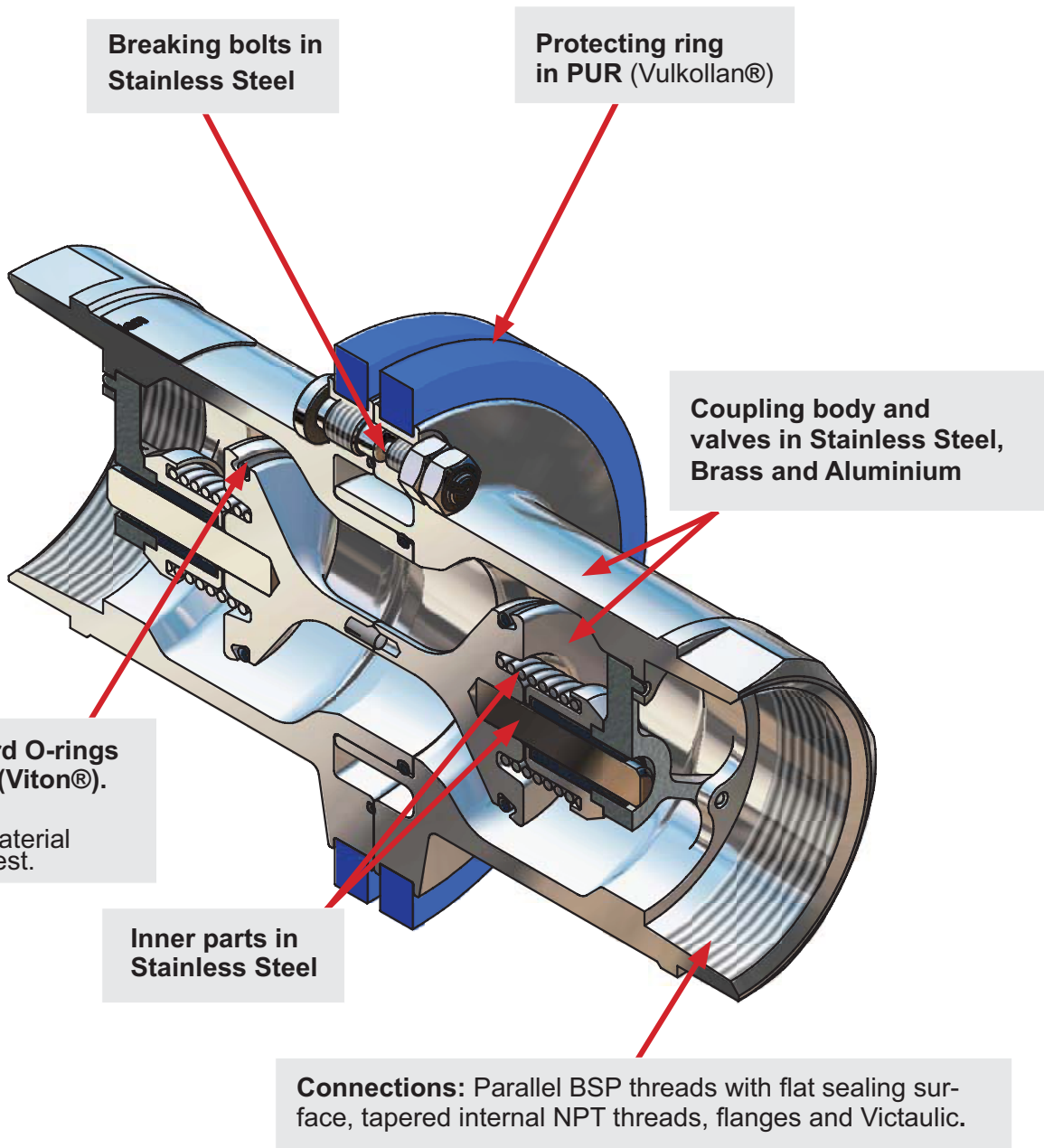
**Marine version** of SBCouplings are designed specifically to be installed within a hose string, where the coupling would have a length of hose attached to both sides.

This coupling incorporates the same internal mechanism as our Industrial couplings, but has additional external features that provide increased resistance to torsional and bending moment forces which may be applied to the coupling, preventing premature activation in the unpredictable marine environment.

**Typical applications include ship to offshore platform, and ship to ship product transfer operations.**



## Advantages



No part of this leaflet may be reproduced in any form or by any means without permission in writing from the publisher.



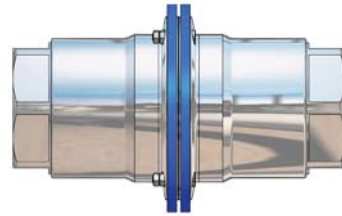
## Examples of Connection combinations

*Other combinations of connections on request*

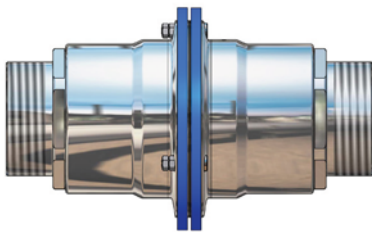
**BSP Female thread / BSP Female thread**



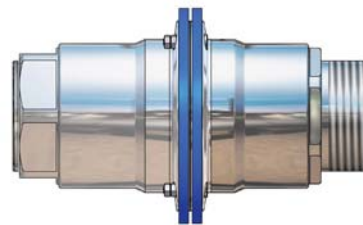
**NPT Female thread / NPT Female thread**



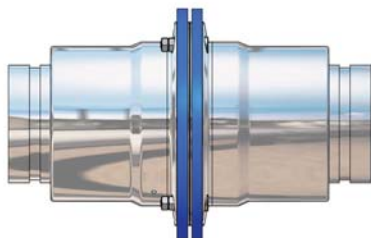
**Male thread / Male thread**



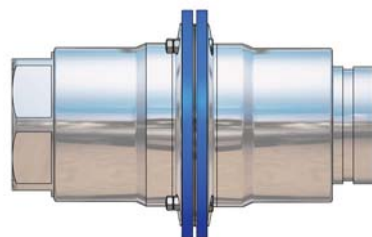
**NPT Female thread / NPT Male thread**  
*also available with BSP*



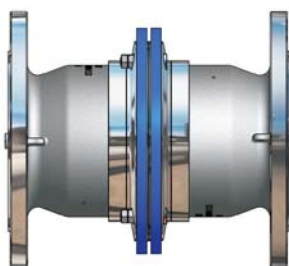
**Victaulic / Victaulic**



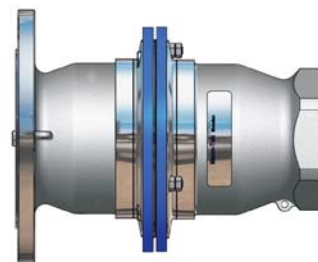
**NPT Female thread / Victaulic**



**Flange / Flange**



**Flange / Thread**  
*(BSP/NPT -Female/Male and Victaulic)*



No part of this leaflet may be reproduced in any form or by any means without permission in writing from the publisher.

## Technical data - Sizes, connections, materials and seals

### Coupling sizes and connections

Nominal width	Breaking force <sup>1)</sup>		Connection <sup>2)</sup>	kg (Stainless)	kg (Aluminium)
	SS	Alu			
1"	4,8 kN	3,2 kN	1" Thread	1,6	-
			1" Flange	2,7	-
2"	13 kN	9 kN	2" Thread	2,6	0,9
			2" Flange	7,3	2,5
2½"	22 kN	10 kN	2½" Thread	7,4	2,5
			2½" Flange	13,2	4,5
3"	33 kN	15 kN	3" Thread	8,5	2,9
			3" Flange	15,1	5,1
4"	52 kN	24 kN	4" Thread	15,5	5,3
			4" Flange	20,7	7,0
5"	81 kN	37 kN	5" Thread	32,0	12,0
			5" Victaulic	31,0	11,7
6"	92 kN	54 kN	6" Thread	46,8	15,9
			6" Flange	57,6	19,6
8"	165 kN	96 kN	8" Thread	-	-
			8" Flange	71,0	25,9
10"	151 kN	151 kN	10" Flange	120	-
12"	217 kN	217 kN	12" Flange	185	-

1) Mann Tek Standard. Other on request.

2) **Threads:** Female and Male (F/F - F/M - M/M) BSP, Female and Male (F/F - F/M - M/M) NPT  
**Flanges:** ANSI 150 psi / ANSI 300 psi, DN 25-150 PN 10/16 and PN 25/40, TW1/50, TW3/80, TW7/150, T.T.M.A .  
**Others:** Victaulic

### Materials

Component	Material	Standard	Operation temperature <sup>3)</sup>
Housing Check valve	SS (Stainless Steel)	EN 10272 - 1.4404+AT	-40°C to 250°C
		EN 10213 - 1.4409+AT	
	Br/Gm (Brass/Gun metal)	EN 12164 - CW614N	-40°C to 200°C
		EN 1982 - CB491K-GS	
	AL (Aluminium)	EN 755 - AW-6262-T6	-40°C to 150°C
		EN 1706 -AC-42100-T6	

### Seals

Component	Material	Description <sup>4)</sup>	Operation temperature <sup>3)</sup>
O-ring	FKM	Viton™	-30°C to 200°C
	EPDM	Buna AP	-40°C to 120°C
	FFKM	Kalrez™ Chemraz™	-15°C to 230°C
	NBR	Perbunan	-38°C to 80°C

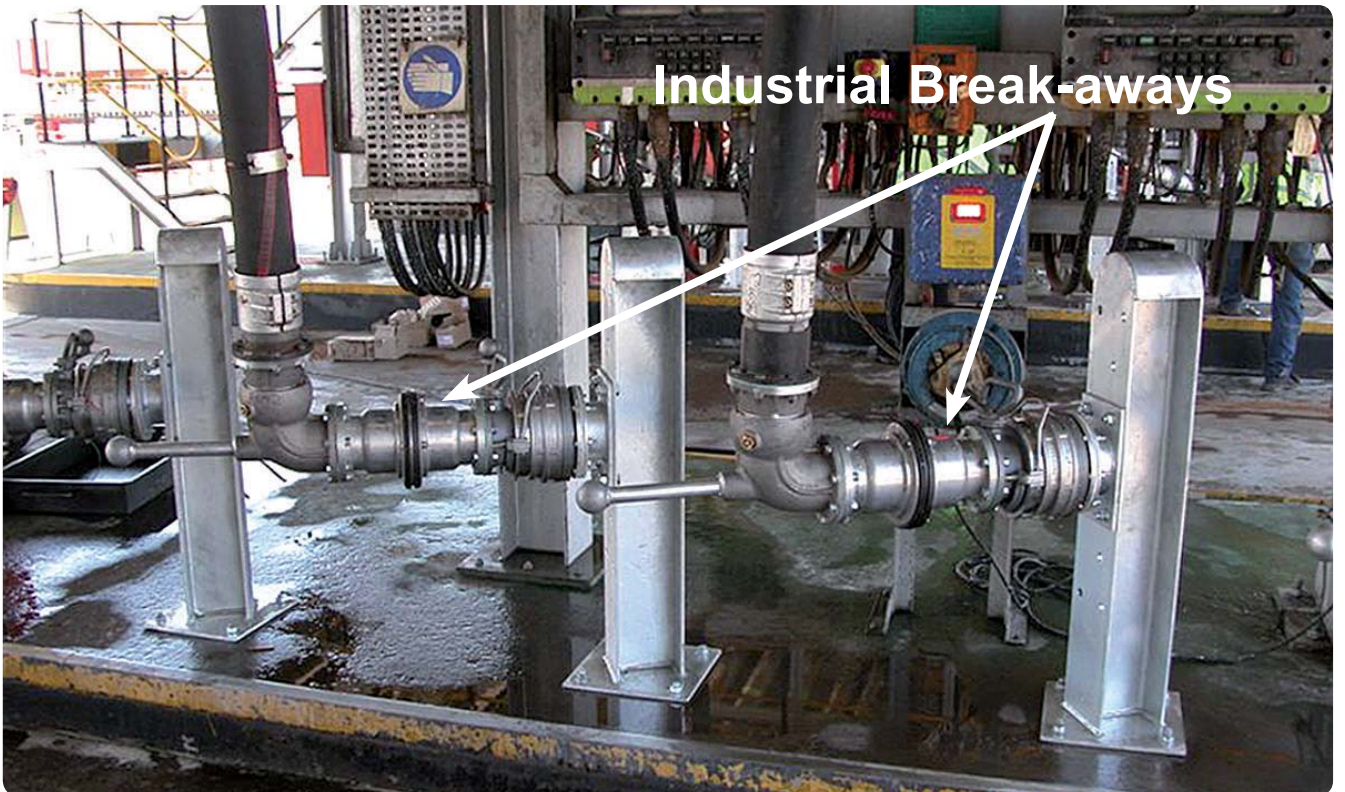
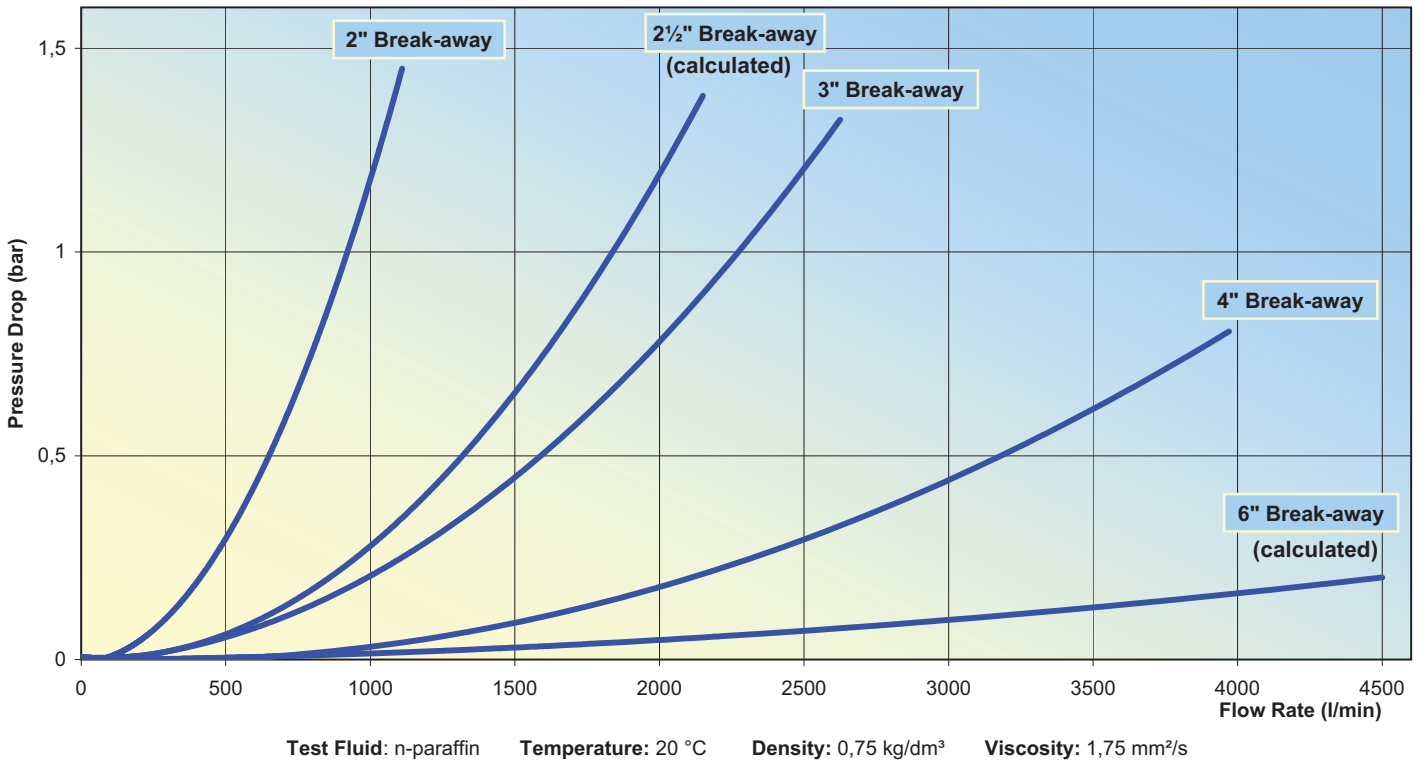
**Working pressure:** 16 bar / 25 bar 150psi / 300 psi      40 bar / 600 psi on request.

3) For temperature stability of the seal material used must be considered separately for each individual case

4) Kalrez, Viton = Registered Trademarks of DuPont; Chemraz = Registered Trademark of Green Tweed

No part of this leaflet may be reproduced in any form or by any means without permission in writing from the publisher.

## Flow Diagram (Pressure Drop) for Industrial and Marine Break-away couplings

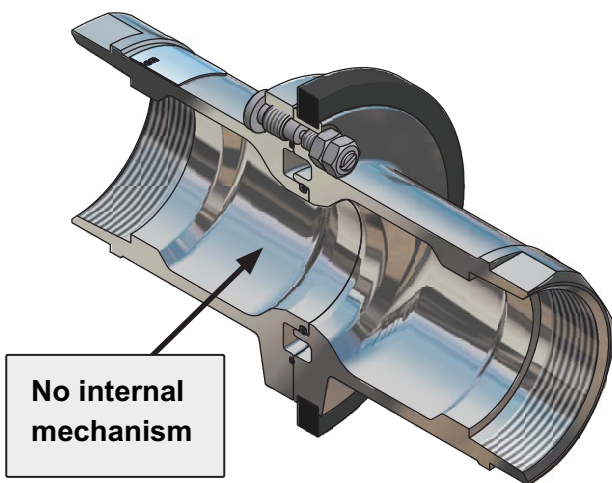


No part of this leaflet may be reproduced in any form or by any means without permission in writing from the publisher.

## Non - Closure Break-away couplings

### Industrial or Marine Break Away

#### - Non Closure



- **Non-closure versions** are available in both the Industrial and Marine versions of our couplings, the Non-Closure design acts purely as an identified safe parting point within the transfer system, protecting equipment and personnel.
- **With no internal mechanism** these couplings are utilised when the medium is non-hazardous and spillage is acceptable.

## Option - Break-away /Swivel integrated

Where there is a risk of excessive force on the hose due to unexpected movement between the loading and unloading station, combining the Dry Disconnect Coupling or Swivel with a Safety Break Away coupling.

*Used between  
two hoses*



### Hose Swivel with Break-away integrated



### Dry Gas coupling Hose unit with Break-away integrated



### Dry disconnect coupling Hose unit with Break-away integrated

## Safety Break-away coupling - Cable release series



### General info

For safe transfer of all your hazardous and non-hazardous products.

The Break-away Cable release series, is designed specifically to minimize spillage and damage associated with drive away **and** pull away incidents .

The Coupling automatically senses an excessive load, closes its valves and then permits disconnection.

### Function

The safety break-away valve consists of two halves, each with a valve that has a flat type-sealing surface similar to a dry disconnect coupling.

**The valve remains constantly open under normal use.**

The two halves of the break-away coupling only close when there is excessive force, such as in a Road Tanker, or Rail Car drive away situation.

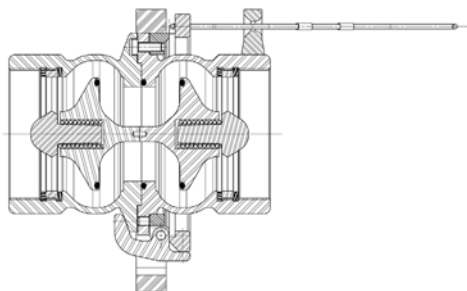
The release is executed by pulling out the locking bolts with the help of the cable. The locking bolts hold the two pressure clamps in position which press both casing halves of the SBCoupling together. A guiding pin set in between serves the alignment of the locking bolts.

When the SBCouplings separate, this allows the poppets to close. Product loss is minimized because of the two poppets close rapidly, minimizing exposure to personnel and the environment.

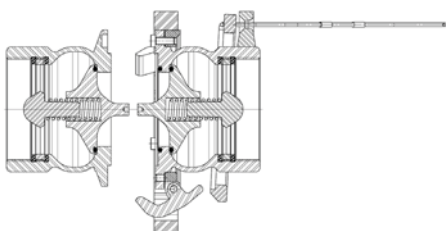


### How it works

**SBCouplings before emergency disconnect**



**SBCouplings after emergency disconnect**



### Safety Technology for Rough Environments: Cable Release Series

- Passive security against situations where a hose or loading arm could be subjected to inadvertent excessive loads.
- Minimal Tension forces on the cable are required to release the SBCouplings-system.
- Design features are a simple mechanism and no loose components which could be lost after release.
- Operates independently of shut off safety system and does not require an external power source.

No part of this leaflet may be reproduced in any form or by any means without permission in writing from the publisher.

## **CBCouplings**

### **Cryogenic Break-away Couplings**

**Cryogenic Break-away Couplings** are a further development of our Safety Break-away Couplings which has successfully been used to prevent pull-away accidents in the petroleum, chemical and LPG industry all over the world. The new range of Cryogenic Break-away Couplings can be installed either at fixed points or in the middle of hose strings.

The Cryogenic Break-away couplings are available as Industrial and Marine type.

Contact us or visit [www.mann-tek.com](http://www.mann-tek.com) for further information about Cryogenic Break-away couplings



## **Technical information**

### **Sizes**

1" (DN25) to 6" (DN150)

### **Working pressure**

MWP 25 Bar - 1" (DN25) to 4" (DN100)

MWP 16 Bar - 6" (DN150)

with 5 time safety factor

### **Working temperature**

Lowest working temperature is -200° C

### **Materials**

Stainless steel. Others on request.

### **Connections**

Female NPT, flanged EN and ANSI.

Others on request.

## **Applications**

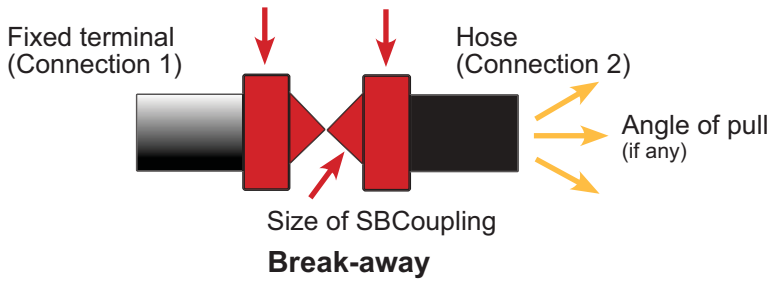
- Container discharge
- Fuel bunkering
- Loading/unloading of tank trucks, rail tankers, bunkering and tank vessels
- Vapor recovery lines



No part of this leaflet may be reproduced in any form or by any means without permission in writing from the publisher.

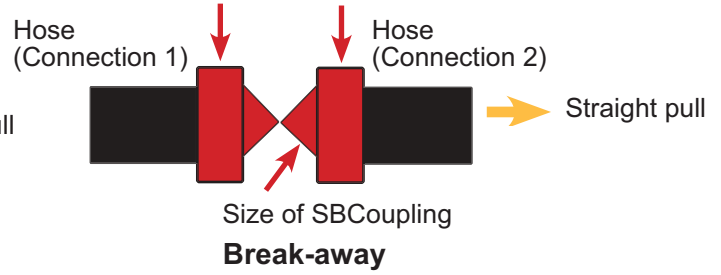
## Industrial Break-away

Required end connections (flange/threaded)



## Marine Break-away

Required end connections (flange/threaded)



Date	Name	
Title	Company :	Department:
Address	Country	
E-mail	Telephone	Fax

### Plant data

DN / inch:	Quantity:
Connection1:	Connection 2:
Housemake/type:	

### Flow data (Media CAS No)

### Cleaning process

1	:		
2	:		
3	:		
4	:		
5	:		
Working Pressure (bar)	Working Temperature (°C)	Concentration (%)	Viscosity (10 <sup>-5</sup> pa s)
Specific weight (kg/dm <sup>3</sup> )	Solid particle quantity:	Hardening	Flow rate (l/min)

### Special points

Conditions of mounting:	Legal regulations:	Specialized designs:
Pull force (kN):	Angle of pull (if any):	Other requests:

### Customers note

No part of this leaflet may be reproduced in any form or by any means without permission in writing from the publisher.

Mann Teknik AB  
Strandvägen 16  
SE-542 41 Mariestad  
Sweden

46-(0)501 39 32 00

46-(0)501 39 32 09

www.mann-tek.com  
sales@mann-tek.se

## Product Information



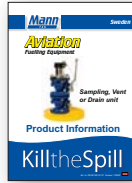
**DDCCouplings®**  
Dry Disconnect Coupling.  
1" to 8", PN 16 - PN 25. Aluminium, Brass-Gunmetal, Stainless Steel and PEEK. Other materials on request. According to NATO standard STANAG 3756.



**DGCouplings®**  
Dry Gas Coupling.  
1" to 8", PN25. Stainless steel.  
Other materials on request.



**DACouplings,**  
Dry Aviation Coupling.  
2½", PN 10. Main body in Aluminium.  
**Standards:** ISO 45, MS 24484, NATO STANAG 3105, British Aerospace Spec. 2C14.



**Sampling, Vent or Drain unit**  
Stainless Steel SS-EN 10 088-1.4404+AT (AISI 316L). Ball Valve in 1.0619 and 1.4301



**Full Flow - ballvalves**  
2" to 4", PN 10, Aluminium.  
Ballvalve and 2-way Ballvalve.  
Made for Petroleum Tank Trucks. Variations of flange connections.



**Swivel joints**  
¾" to 10", PN 10 - PN 25.  
Aluminium, Brass-Gunmetal, Stainless Steel.  
Other materials on request.  
Connection: BSP, NPT, Flanged connection (DIN, ANSI/ASA e.t.c)



**SBCouplings, bolt series**  
**Industrial and Marine Safety Break-away, breaking bolts,**  
Aluminium, Brass, Stainless Steel, 1" to 12", female/male threads and with flanges, with breaking bolts.  
**Safety Break-away, cable release**  
Stainless Steel, PN10 / PN 25. 2" to 4", female threads. 6" to 12", flanged connection

## Business Segment Information



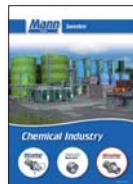
Offshore & Marine



Gas (LPG)



Rail Tankers



Chemical industry



Tank trucks



Military



Container



Cryogenic Couplings

## Company Information



General Information about Mann Tek, products and Business Segments



Quality, Health, Safety and Environment Policy.  
Quality Approvals, Product Approvals and Declaration of Conformity



Service instructions and operation manuals

## Your distributor

### Your distributor:

SMAILE-PLUSS SIA Technical centr DANTEC  
Phone: +371 67352561, +371 29214098  
Fax: +371 67352386  
Email: office@sptech.lv, info@dantec.lv  
Web site: www.smaile-pluss.lv  
Address: Tvaika 52, Riga, LV1005, Latvia

### Contact Mann Tek for your local distributor

**Phone:** +46 501 39 32 00  
**Fax:** +46 501 39 32 09  
**Email:** sales@mann-tek.com  
**Web site:** www.mann-tek.com

**Address:** Mann Teknik AB  
Strandvägen 16  
SE-542 31 Mariestad  
Sweden

